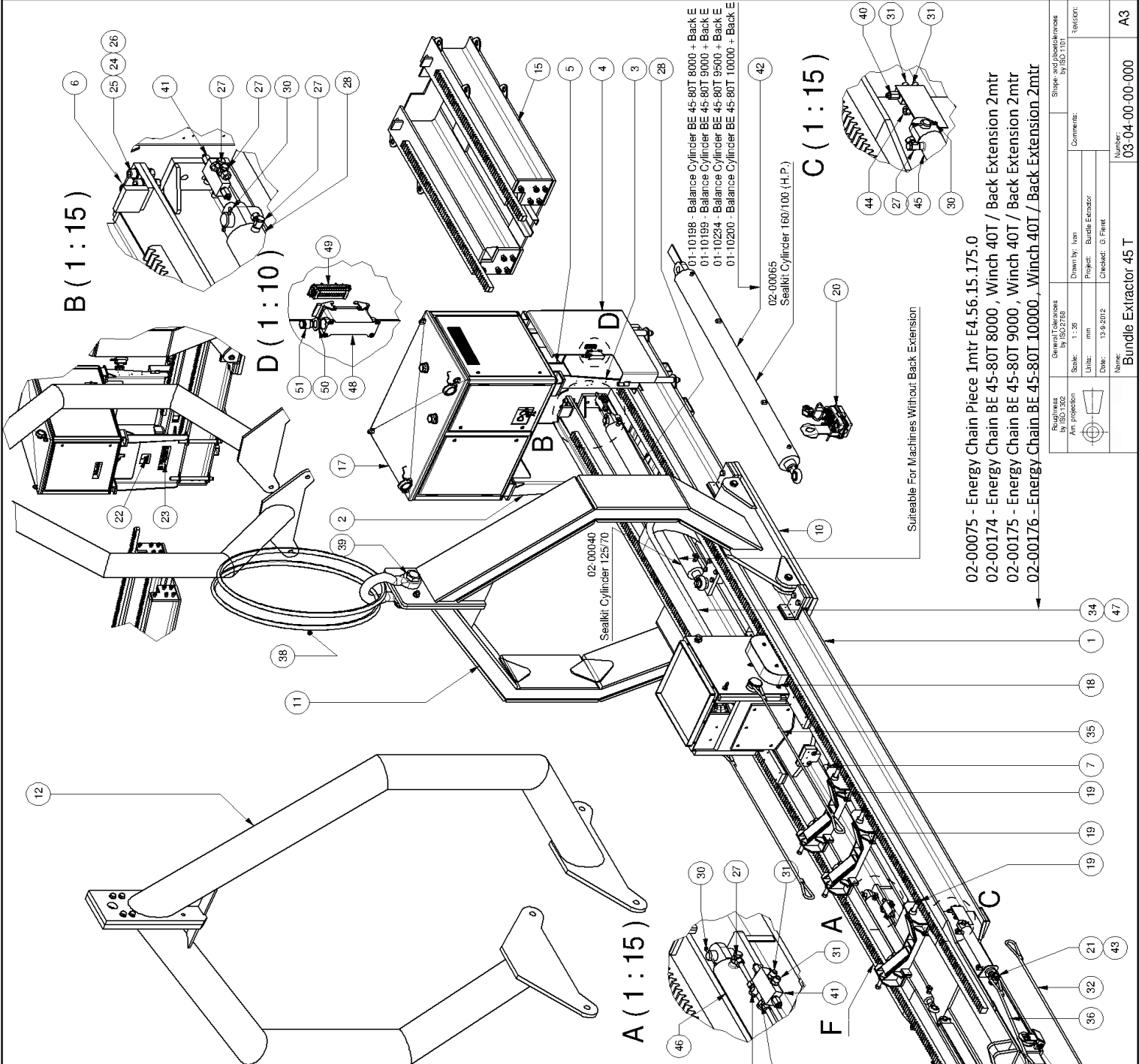


ITEM	QTY	DESCRIPTION	PART NUMBER
51	2	Cable Shield PVC/B Stainless	01-10357
50	2	Reducing PDS-1E Brass	01-10356
49	2	Female Inlet Connector 24 Hole (screw)	01-10352
48	1	Building House 24-Hole Connector PDS21	01-10353
47	1	Energy Chain Short BE 45-80T At 2mtr and without Back Extension	02-00177
46	1	Clamp Cylinder Right	01-00982
45	1	Slip Cylinder Left	01-00980
44	2	Adjustable male and Elbow PEWD 1/8	01-00725
43	4	Locking Pin 1mm Øx50	01-10352
42	1	Balance Cylinder (B74) 80T	See the Note
41	3	Double Counterbalance 1"2" 100-300Ibs	01-10492
40	2	Single Counter Balance 1"2" 100-300 Ibs	01-10417
39	1	Shackle WLL 80T	01-00973
38	2	Shackle WLL 475T	01-10360
37	2	Shackle WLL 475T	01-00966
36	2	Steel Wire Rope WLL 4.6T Length 1.5mtr	01-10343
35	2	Steel Wire Rope WLL 4.6T Length 2.0mtr	01-10343
34	1	Energy Chain	See the Note
33	1	Clamp Cylinder Left	01-00983
32	2	Steel Wire Rope WLL 4.6T Length 2.5mtr	01-10342
31	14	Male Stud Coupling PVEY 1/2 BSP - 1/8	01-00950
30	6	Cotter Pin DIN64-6x0.6-5T	01-10334
29	1	Slip Cylinder Right	01-00981
28	1	Balance Cylinder 304x34T	01-00984
27	16	Beipis Coupling SW 1/2" - 1/8	01-00933
26	8	Hex Nut M24 DIN934-ELVZ	01-00901
25	8	Hex Head Cap Screws M24x129 DIN913	01-00953
24	16	Flat Washer DIN 125	01-00955
23	1	Plate Perennium Logo	03-01-06-01-00-018
22	1	Indicator Plate Main Switch	03-03-00-00-003
21	2	Pin Cylinder Sliding	03-03-00-00-003
20	1	Remote Control Box	03-03-11-00-000
19	3	V Block	03-03-08-00-000
18	1	Pulling unit	03-02-03-00-000
17	1	Engine Compartment	03-03-02-00-000
16	2	Tilting System Slings	03-03-01-00-000
15	1	Back Extension 2.0 mtr	03-04-11-00-000
14	1	Front Extension Right	03-04-10-00-000
13	1	Front Extension Left	03-04-09-00-000
12	1	Lifting Frame 2.75 mtr	03-04-05-04-000
11	1	Lifting Frame 2.0 mtr	03-04-05-00-000
10	1	Balance Phase	03-04-04-00-000
9	1	Clamp Left	03-04-03-00-000
8	1	Clamp Right	03-04-02-00-000
7	1	Support Energy Chain	03-04-01-08-000
6	2	Buffer	03-04-01-07-000
5	1	Hoist Support	03-04-01-06-000
4	1	Protective Hood Hoises	03-04-01-05-000
3	1	Support engine compartment 2	03-04-01-04-000
2	1	Support engine compartment 1	03-04-01-03-000
1	1	Base Frame	03-04-01-00-000

Option Radiographic Installation, See 03-03-12-00-000



02-00075 - Energy Chain Piece 1mtr E4.56.15.175.0  
 02-00174 - Energy Chain BE 45-80T 8000 , Winch 40T / Back Extension 2mtr  
 02-00175 - Energy Chain BE 45-80T 9000 , Winch 40T / Back Extension 2mtr  
 02-00176 - Energy Chain BE 45-80T 10000 , Winch 40T / Back Extension 2mtr

Roughness by ISO 1302	General Tolerances by ISO 2768	Shape and Positional Tolerances by ISO 1101
Scale: 1:38	Drawn by: Ivo	Revision:
Unit: mm	Project: Bundle Extractor	Comments:
Date: 19.9.2012	Checked: G. Freit	
Name: Bundle Extractor 45 T		
Number: 03-04-00-00-000		
A3		